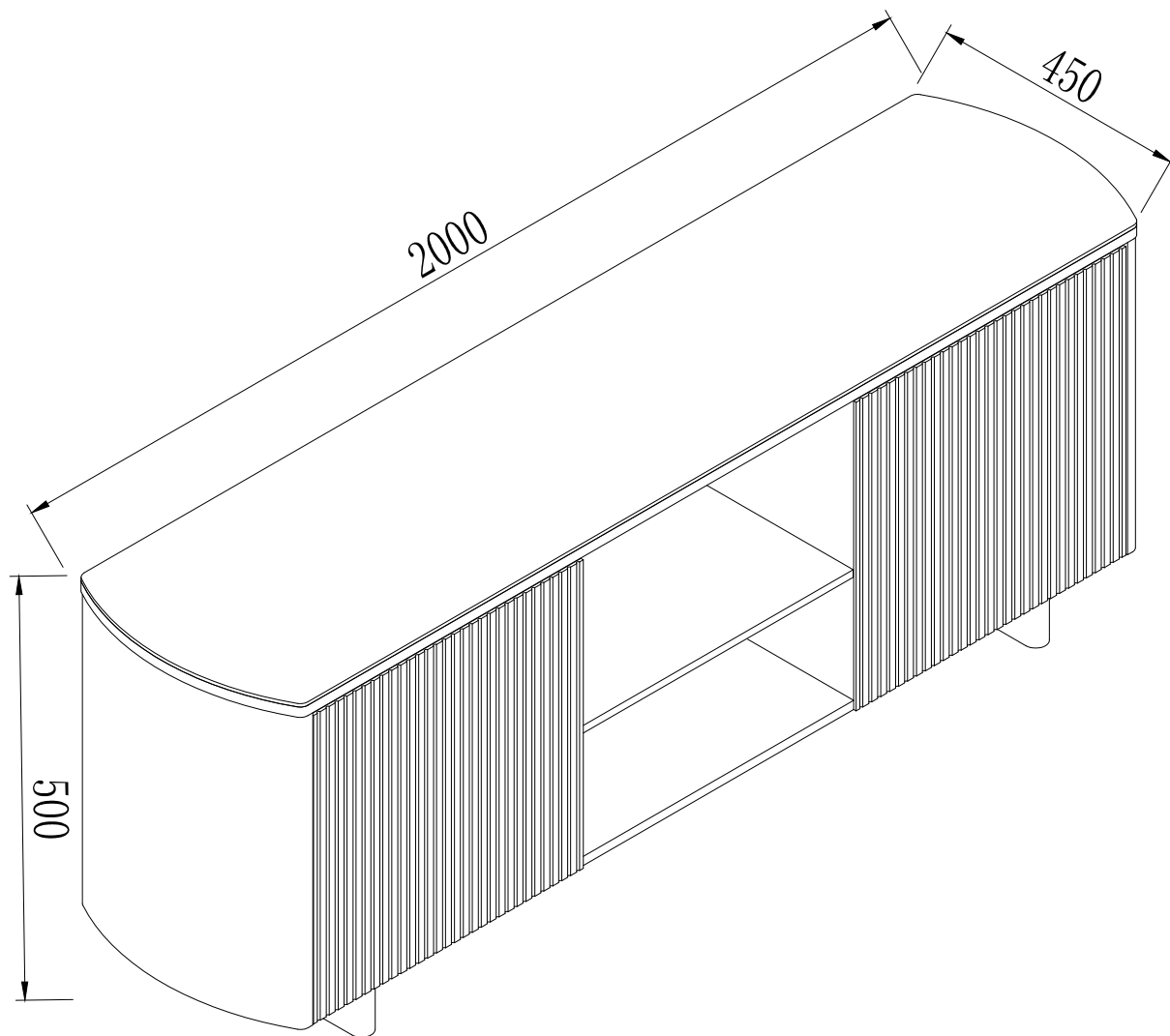




ASSEMBLY INSTRUCTION
DORVAL ENTERTAINMENT
ITEM CODE 84959

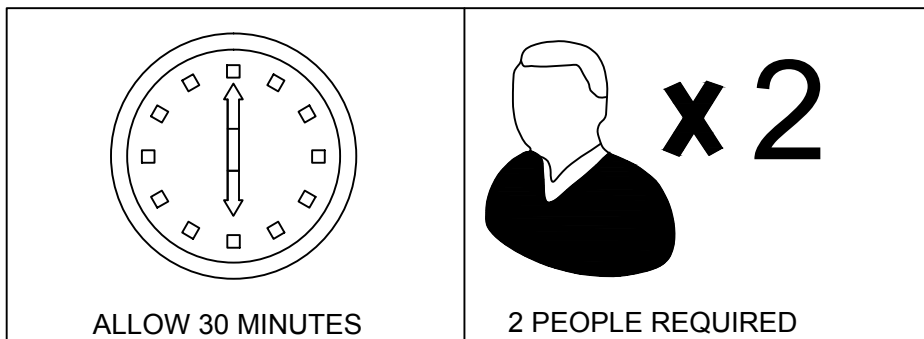


Imported by Amart Furniture Pty Ltd. Qld. Brisbane Australia.
For any assistance with assembly or for missing parts please phone Amart Furniture
Customer Service Free call 1800 351 084

PRE-ASSEMBLY PREPARATION

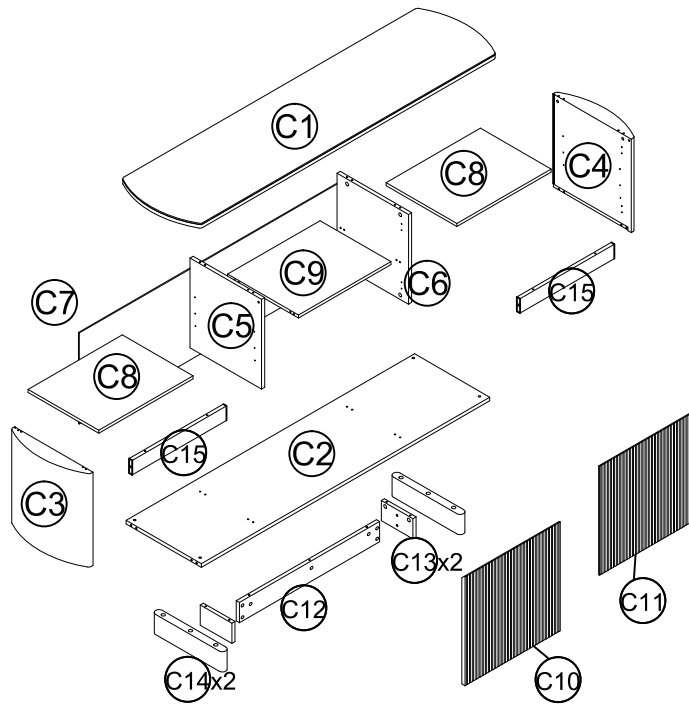
Before you start:

1. Choose a clean, level, spacious assembly area. Avoid hard surfaces that may damage the product
2. Take care when lifting. Product should be assembled as near as possible to the point of use
3. Ensure that you have all required contents for complete assembly.
4. Always read the assembly instructions carefully before beginning assembly.
5. Keep all hardware parts and packaging out of reach of small children.
6. Do not over tighten the screws and bolts as this may damage the threads


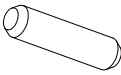
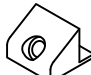
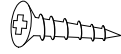
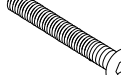






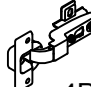



| ⚠ WARNING | | |
|---|---|---|
|  |  | <p>Children have died from furniture tipover.</p> <ul style="list-style-type: none">• NEVER allow children to stand, climb or hang on drawers, doors, or shelves.• ALWAYS secure your television with an anchor device or mount the television on a wall. <p>This is a permanent label. Do not remove!</p> |

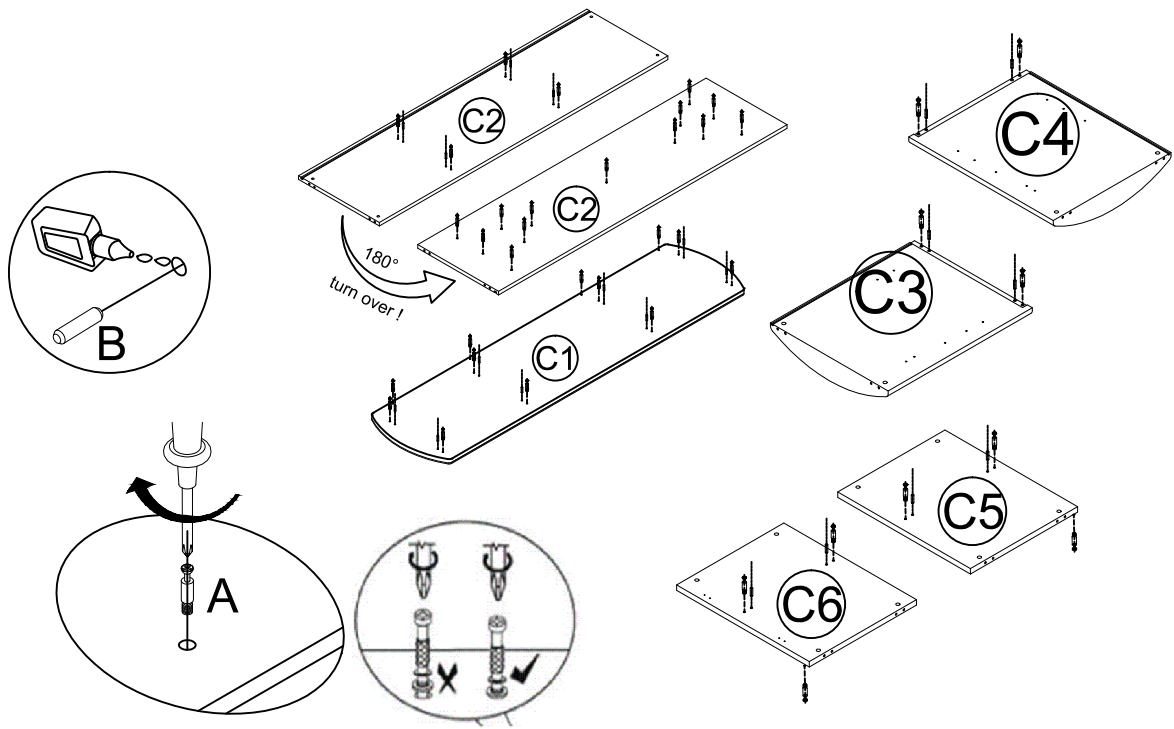
PARTS LIST



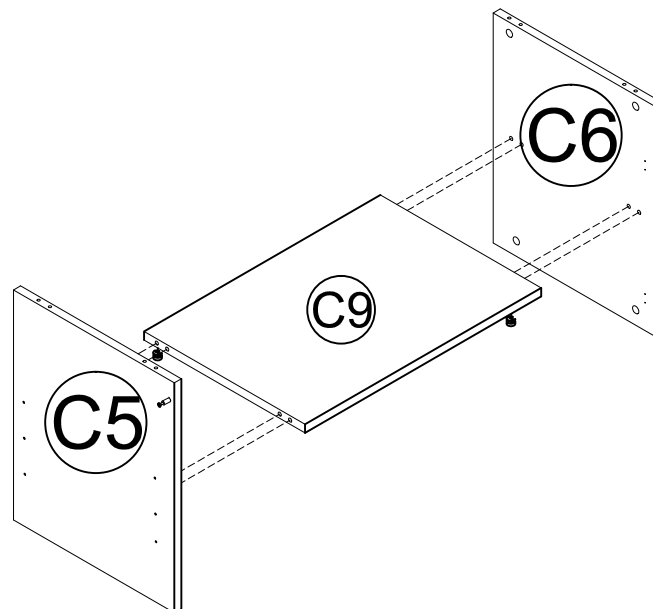
| | | | |
|------|------------------|-------|---------------|
| C1 | Top Panel | C9 | Shelf Panel |
| C2 | Bottom Panel | C10 | Door Panel |
| C3 | Left Side Panel | C11 | Door Panel |
| C4 | Right Side Panel | C12 | Leg |
| C5 | Support Panel | C13x2 | Leg |
| C6 | Support Panel | C14x2 | Leg |
| C7 | Back Panel | C15x2 | Support Panel |
| C8x2 | Shelf Panel | | |

| | | | | | | |
|---|---|--|---|---|---|---|
| <input type="checkbox"/> A. Cam lock and Cam pin Ø15X35  39PCS | <input type="checkbox"/> B. Dowel Ø8x30  20PCS | <input type="checkbox"/> C. Connector 18x16x10  6PCS | <input type="checkbox"/> D. Screw Ø3x18  6PCS | <input type="checkbox"/> E. Bolt M6x100  6PCS | <input type="checkbox"/> F. Hex key M4  1PCE | <input type="checkbox"/> G. Screw Ø4x14  24PCS |
| <input type="checkbox"/> H. GLUE  1PCE | <input type="checkbox"/> I. Safety Bracket Kit  2PCS | <input type="checkbox"/> J. Shelf supporter  8PCS | <input type="checkbox"/> K. 20x14x5 Protect foam  10PCS | <input type="checkbox"/> L. Hinge  4PCS | <input type="checkbox"/> M. Hinge  1PCS | |

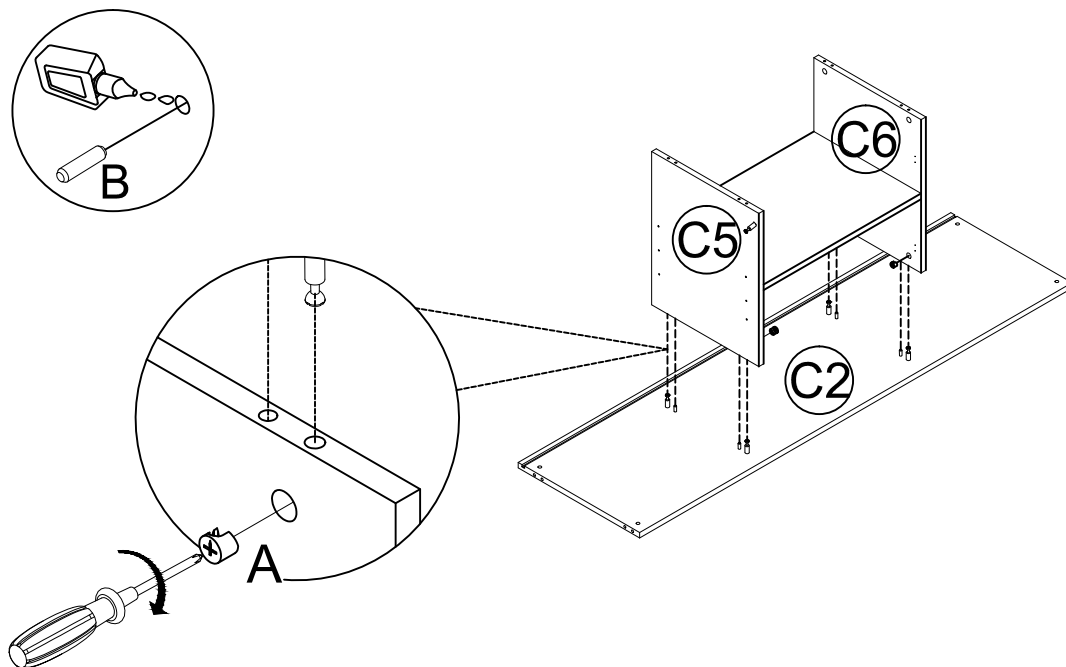
STEP 1: Use Phillips Head Screwdriver to insert the Cam Pin(A) to the Top Panel(C1) and Bottom Panel(C2) and Left side Panel(C3) and Right Side Panel(C4). Support Panel(C5&C6). Insert the Dowel(B) to the Panel (C1,C2 C3,C4,C5,C6) with Glue (J).



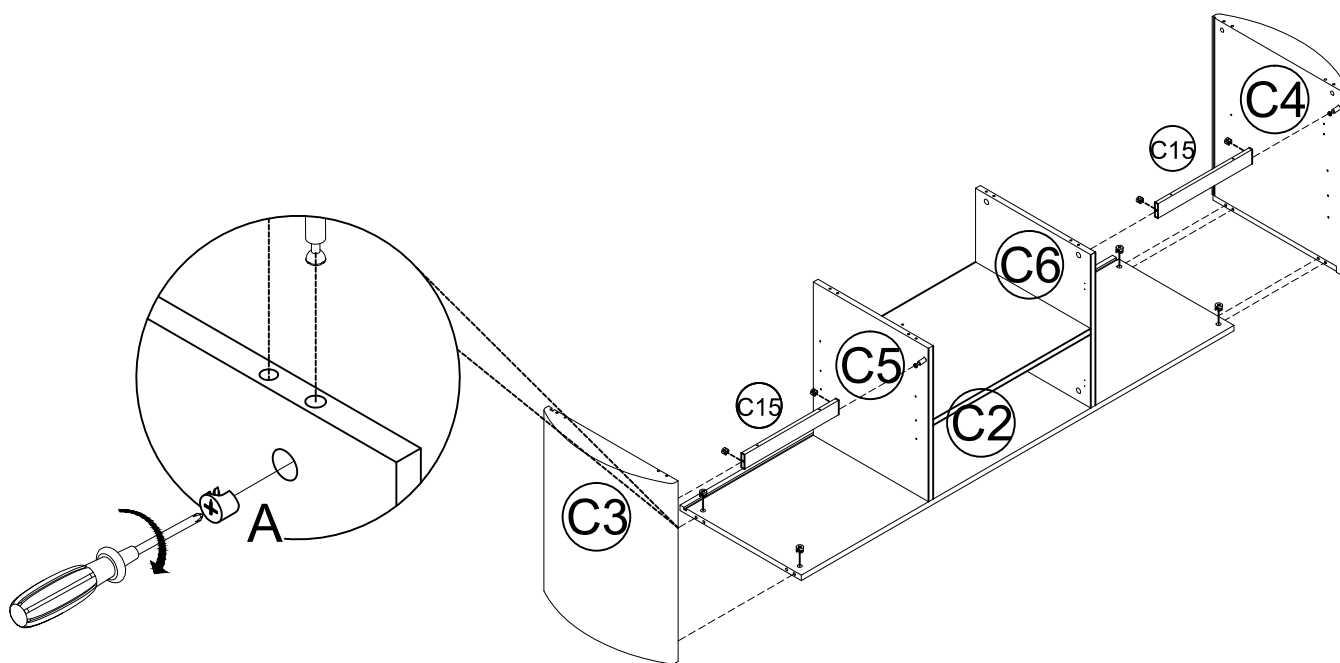
STEP 2: Attach Panel(C5&C6) to Panel(C9). And turn Cam lock(A) to lock into the head of Cam Pin(A).



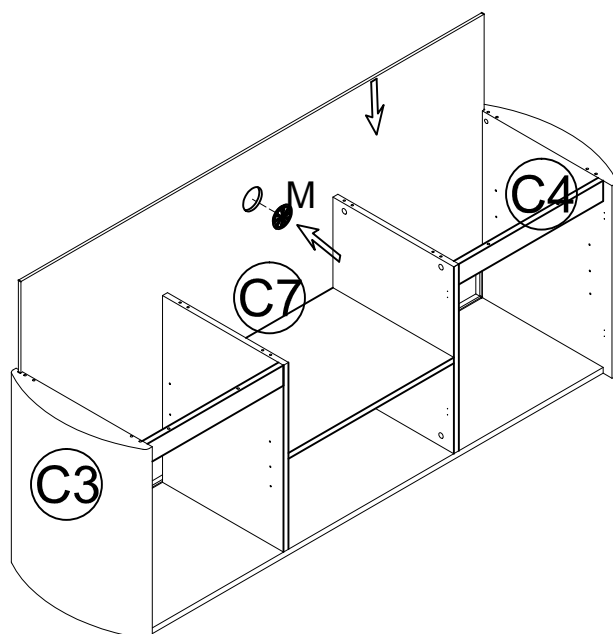
STEP 3: Attach Panel(C5&C6) to Panel(C2). And turn Cam lock(A) to lock into the head of Cam Pin(A).



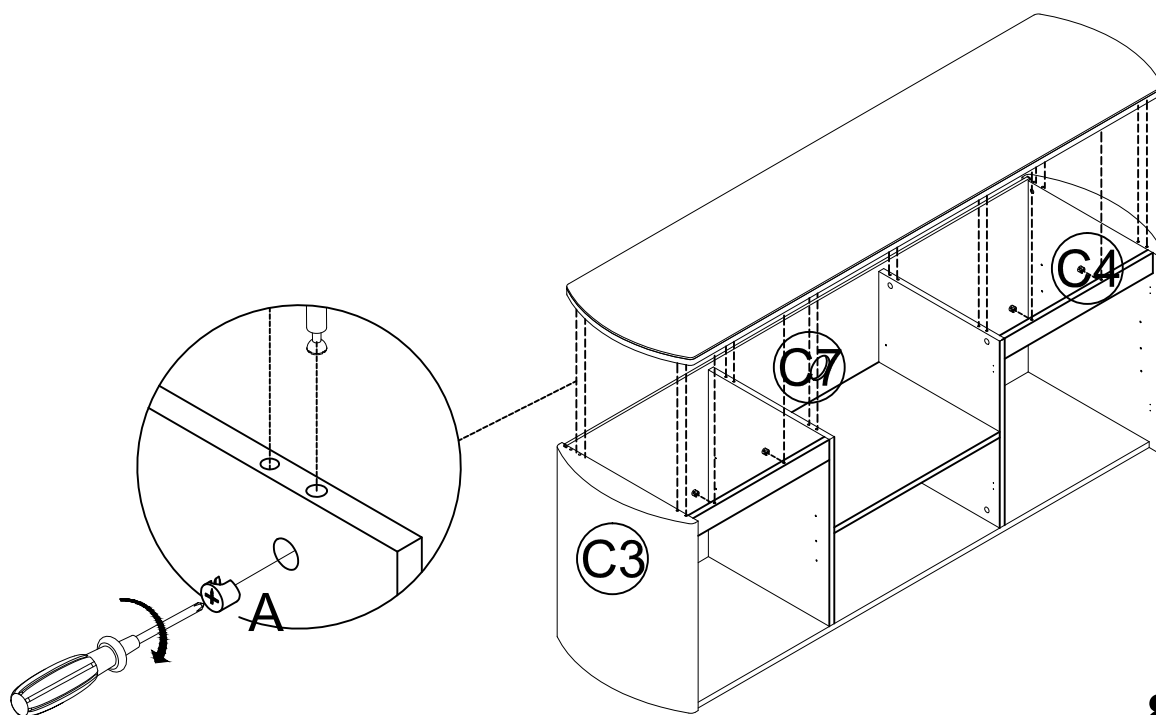
STEP 4: Attach Panel(C15) to Panel(C5&C6). And turn Cam lock(A) to lock into the head of Cam Pin(A). Attach Panel(C2&C15) to Panel(C3&C4). And turn Cam lock(A) to lock into the head of Cam Pin(A).



STEP 5: Insert Back Panel(C7) to groove.put the Hole Cap(M)to the Back Panel(C7).

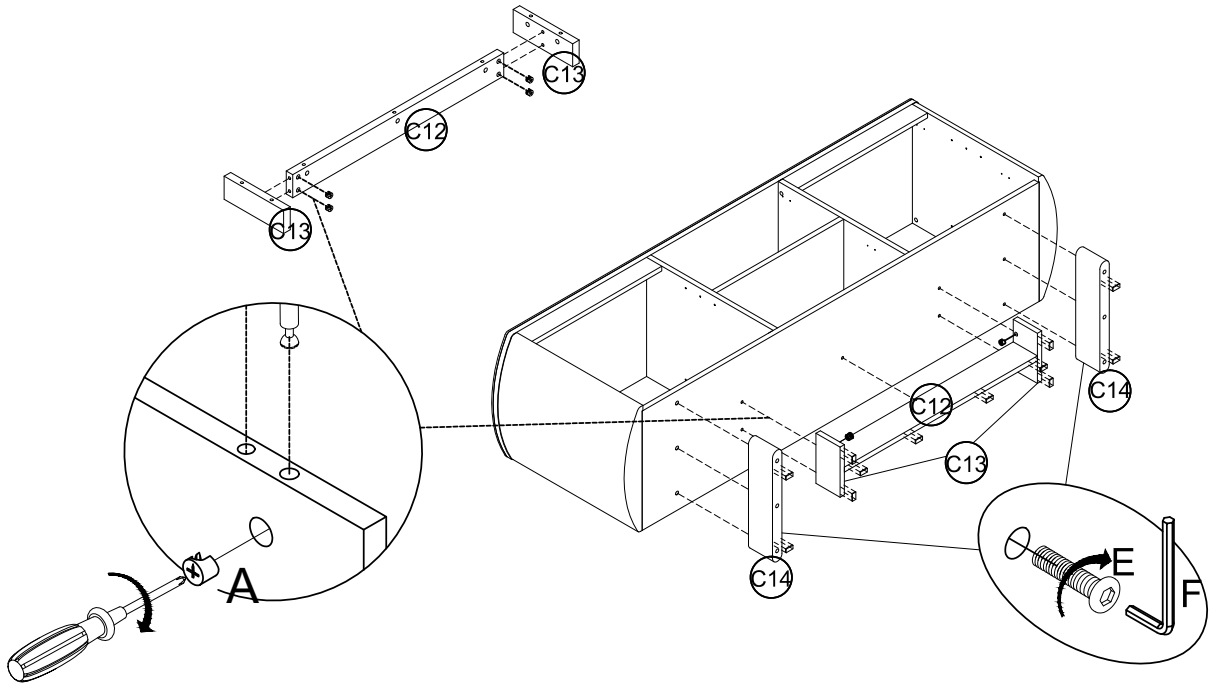


STEP 6: Attach Panel(C3&C4&C5&C6&C15) to Top Panel(C1).And turn Cam lock(A) to lock into the head of Cam Pin(A)

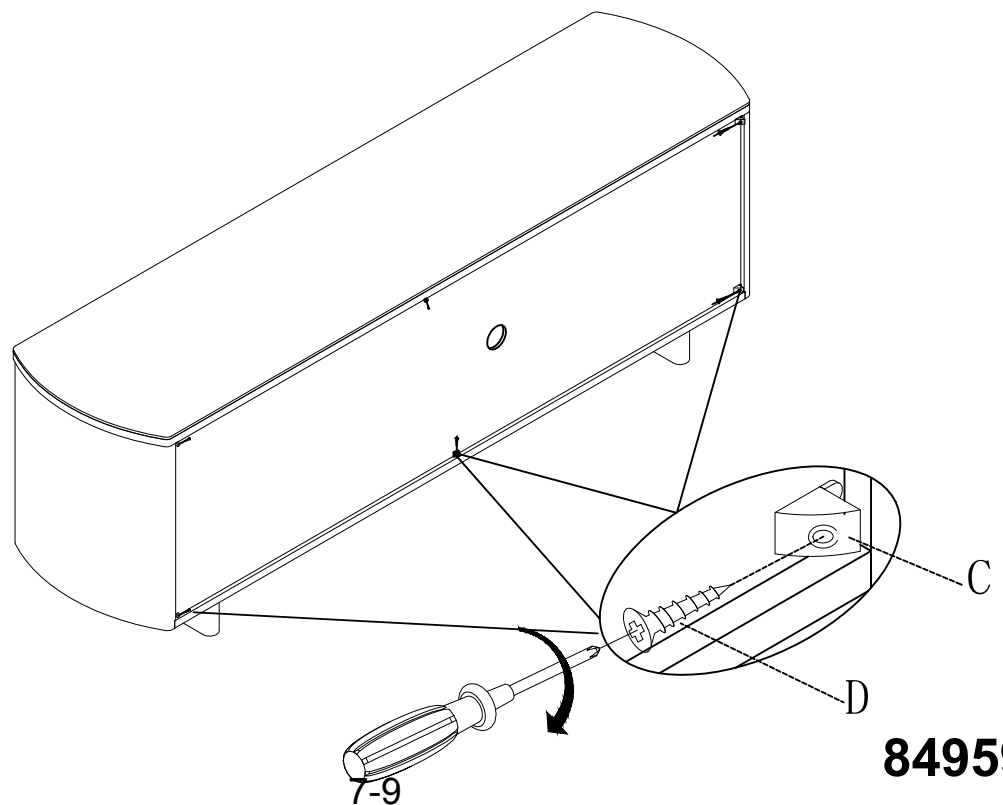


Attach Panel(C12) to Panel(C13).And turn Cam lock(A) to lock into the head of Cam Pin (A) ,then Attached Panel(C12&C13)to the Bottom Panel(C2) And turn Cam lock(A) to lock into the head of Cam Pin(A) . Use Hex Key(F)to assemble the Leg(C14) to the Bottom Panel(C2)with Bolt(E),Stick the Protect Foam(K)to the Leg(C14) and Panel (C12&C13).

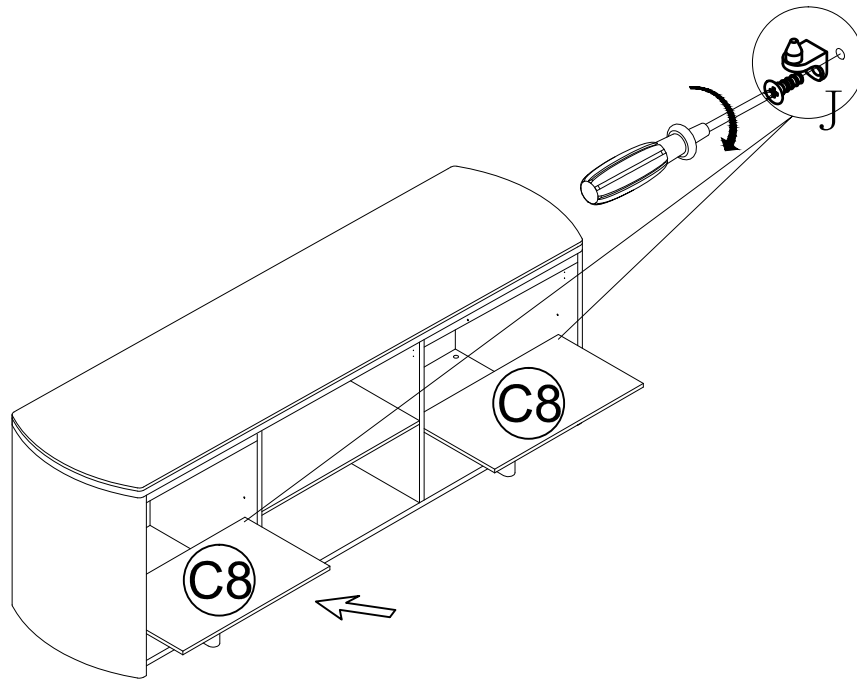
STEP 7:



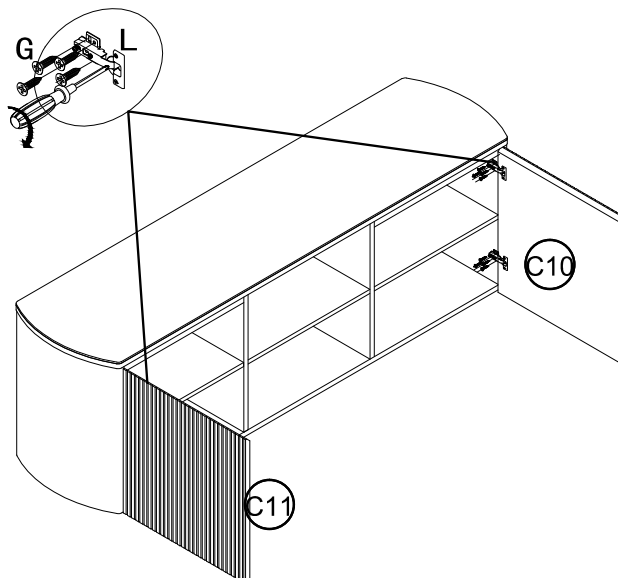
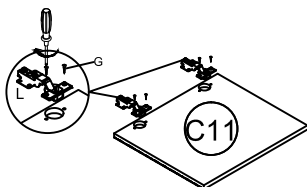
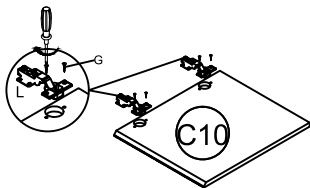
STEP 8: Use Phillips Head Screwdriver to attach the Connector(C) to back with the Screw(D).



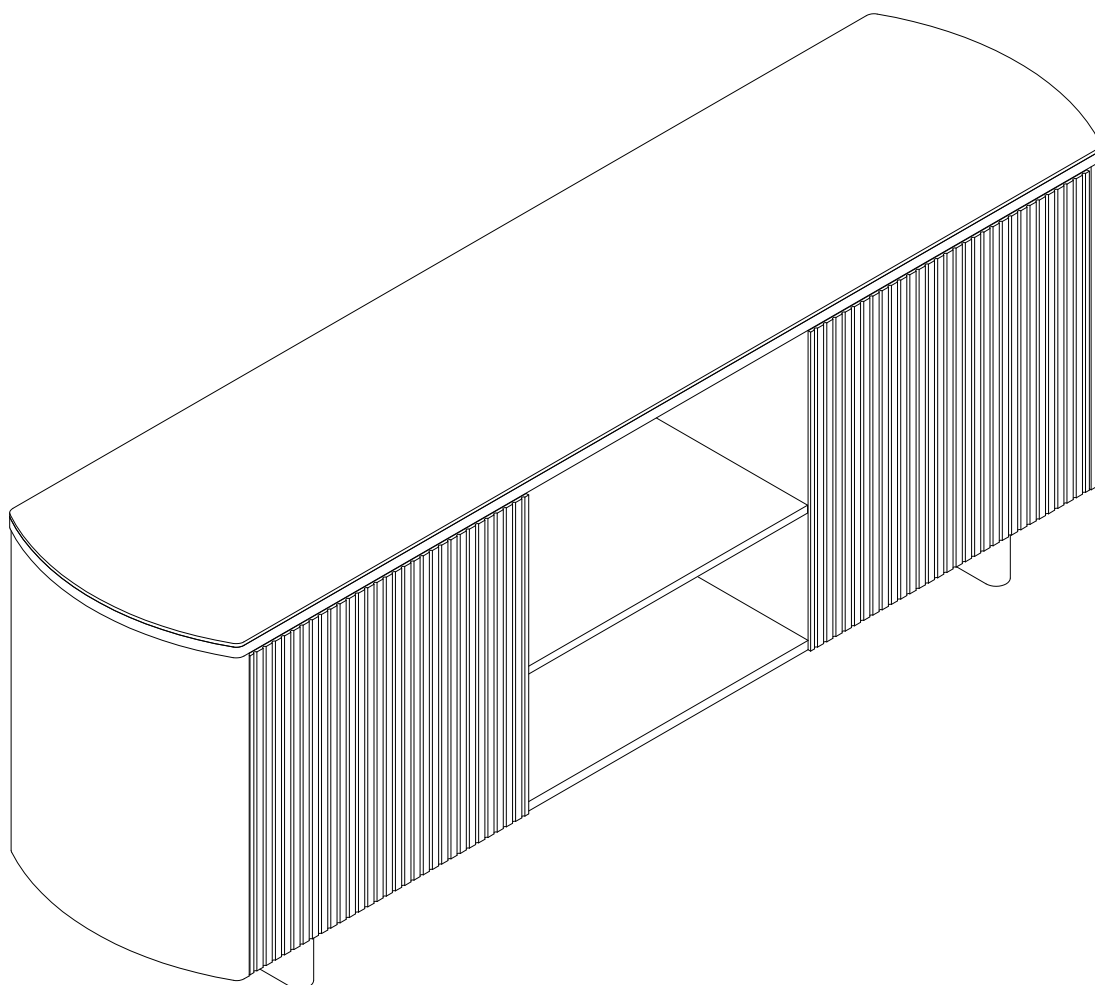
STEP 9: Use Phillips Head Screwdriver to attach the Shelf Supportor(J) to Panel (C3&C4&C5&C6)with the Screw(J),Insert the Shelf Panel (C8)to the Supporter (J)



STEP 10: Use Phillips Head Screwdriver to attach the Hinge(L) to Door Panel(C10&C11) with Screw(G), Use Phillips Head Screwdriver to attach the Hinge(L) to Left Side Panel (C3)&Right Side Panel(C4) with Screw (G).



Assembly is complete



Note -

Do not drag the furniture as this may cause damage to the legs. Instead, use 2 persons to lift carefully from either end.

SAFETY BRACKETS INSTRUCTIONS

This furniture poses a tipping risk and as such must be secured to a wall using the provided tipping kit.

1. Attach one Mounting Plate to the wall with the Large Screws. Make sure to attach the Mounting Plate into a stud. If mounting into brick or masonry you will need to acquire wall anchors. Please enquire with your local hardware supplier for appropriate fixings.
2. Attach the second Mounting Plate to the furniture frame with the Short Screws.
3. Move the furniture to its final position. Thread a Wall Strap through the both Mounting Plates and tighten until snug. Do not over tighten.
4. Make sure that the Mounting Plates are firmly attached to the wall and furniture and that the Wall Strap is snug.

HARDWARE



Mounting Plate x 2



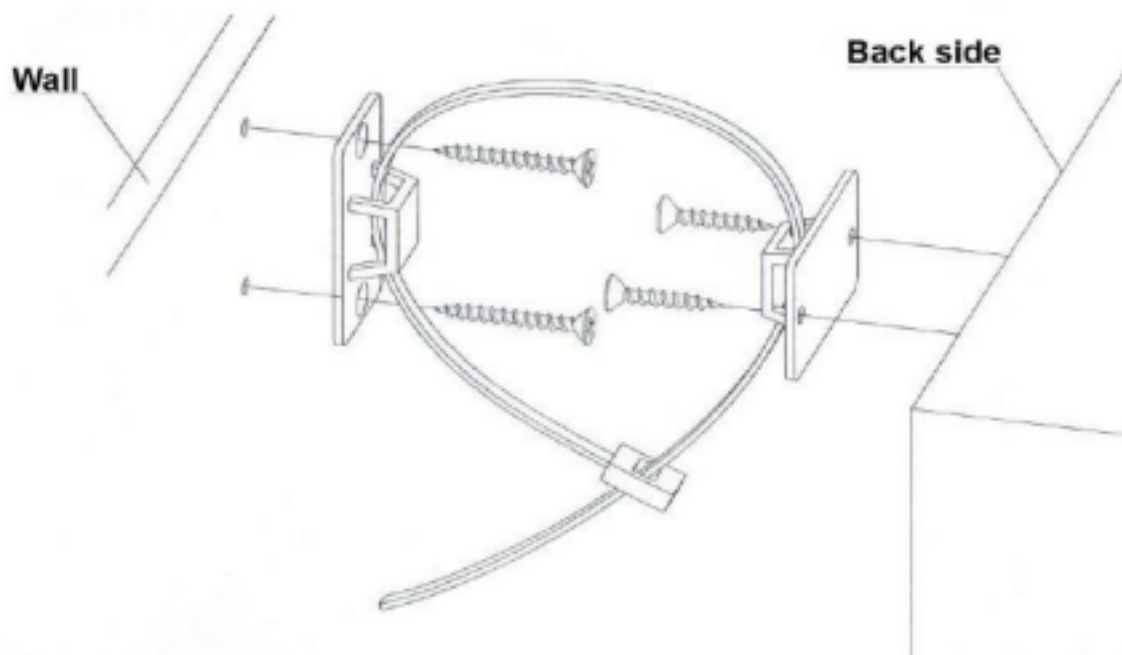
Wall Strap x 1



Large Screw x2



Small Screw x2



Product Care for Sintered Stone Items

Daily Cleaning

•
General Stain Removal: As the surface of sintered stone furniture is non - porous and non - absorbent, for daily cleaning, simply wiping with a soft, damp cloth can remove dust and light stains such as coffee stains and fruit juice stains. For more stubborn stains, a mild detergent can be used. However, avoid using cleaners that contain strong acids, strong alkalis, or abrasive components to prevent damage to the furniture surface.

•Preventing Water Stain Residue: After cleaning, wipe off the water in a timely manner to prevent water stain residue. Because long - term water stains may form water marks on the surface and affect the appearance.

Avoid Scratching and Collision

•
Careful Use: In daily use, avoid using sharp objects such as knives and keys to scratch on the furniture surface, as this may cause scratches. Although sintered stone is relatively wear - resistant, sharp objects can still damage its surface.

•Pay Attention to Moving: When moving furniture, handle it with care and avoid collision with other hard objects. If you need to move heavy sintered stone furniture, it's best to ask professionals for help to prevent accidental collisions during the moving process and damage to the furniture.

Prevent Chemical Corrosion

•
Avoid Contact with Acid - Base Substances: Sintered stone furniture should avoid contact with acidic or alkaline chemicals such as vinegar, lemon juice, and bleach. These substances may react chemically with the stone, causing the surface to discolor, corrode, or be damaged.

•Choose Cleaners Carefully: When choosing a cleaner, carefully check the product ingredients to ensure that it will not damage the sintered stone. If you're not sure whether a cleaner is suitable, you can first conduct a small - area test on an inconspicuous part of the furniture and observe whether there is any adverse reaction before using it.